

# Video Door Phone

## HV-VDP-703M 7" Color Video Door Phone KIT with Memory Card Slot



## Features

### Indoor

- Hands free Indoor monitor with 7" HD LCD screen with Memory card slot
- Video recording and Image Capture
- Adjustable brightness, color and contrast
- Hands-free communication, 2 Lock can operate from Screen
- Changeable chord melody (more than 13), Auto Shutdown
- Feather touch buttons
- Built in auto switcher for 2 door camera
- Supports up to 4 Indoor Monitors & up to 2 Outdoor Bell Units
- Built in SMPS power supply

### Outdoor

- Super slim shell with rain cover, Single Bell Outdoor
- Two way communication with indoor phone.
- Video transmission
- High definition and colorful CMOS Camera
- Release door
- Color 900 TVL Lens

Specifications are subject to change without notice. Hawk Vision is a registered trademark of AAA Security Solutions and its Overseas Subsidiaries. All other trademarks belong to their respective owners. © Copyright 2020 AAA Security Solutions. All rights reserved. Released 10/2020



# Technical Specifications

## HV-VDP-703M

### INDOOR

Display	7" LCD screen
LCD Resolution	800(RGB)x480 Pixel
Visual Angle	Up 50 degree, down 70 degree, left and right 70 degree
Brightness	250cd/m <sup>2</sup>
Sensitivity	56db
Signal System	PAL
Over Power Consumption	<6w (400mA)
Stand-by Power Consumption	<1.1W
Micro SD card slot	Max. 64GB (class 10)
Talk Time Delay	120S±10%
Effective distance	200M (4x0.3Mm <sup>2</sup> )
Indoor Unit Installation	Wall-Mounted type
Wiring	4-Wire (Coaxial Cable)
Working Voltage	AC 100V~240V ~ 50Hz/60Hz
Working temperature	10°C~+50°C
Dimension (LxWxH)	18mm x 235mm x 145mm
Weight	740g
Certifications	CE, FCC, ROHS, BIS

### OUTDOOR

Camera Sensor	1/3 CMOS sensor
Resolution	900 TVL
IR Distance	Approximate 4 meters
Visual angle	90 degree
Image transmission distance	Approximate 200 meters
Power Consumption	<2w
Talk time delay	120s ±10%
Power	DC 15V (provided by the extension phone directly)
Working temperature	10°C~+50°C
Dimension (LxWxH)	38mm x 133mm x 65mm
Weight	740g
Certifications	CE, FCC, ROHS, BIS

Specifications are subject to change without notice. Hawk Vision is a registered trademark of AAA Security Solutions and its Overseas Subsidiaries. All other trademarks belong to their respective owners. © Copyright 2020 AAA Security Solutions. All rights reserved. Released 10/2020

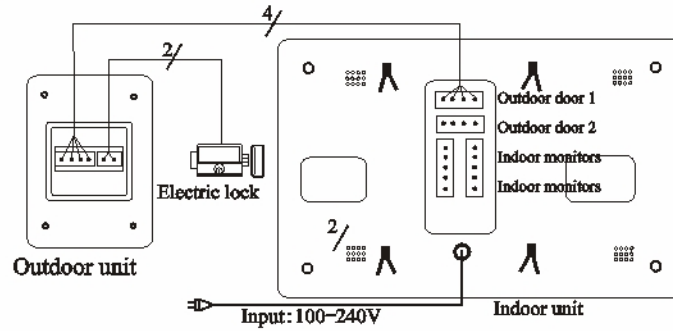
**AAA SECURITY SOLUTIONS**, 231, 2ND FLOOR, KRISHNA MARKET, PITAMPURA, NEW DELHI 110034  
**SALES:** 011-47097440 | **SALES EMAIL:** INFO@HAWKVISIONINDIA.COM | **SUPPORT EMAIL:** SUPPORT@HAWKVISIONINDIA.COM

# Connection Overview

## HV-VDP-703M



### ONE-TO-ONE (POWER INSIDE)



### ONE-TO-TWO CONNECTION DIAGRAM AND OPERATION (MAX TO ONE-TO-EIGHT)

